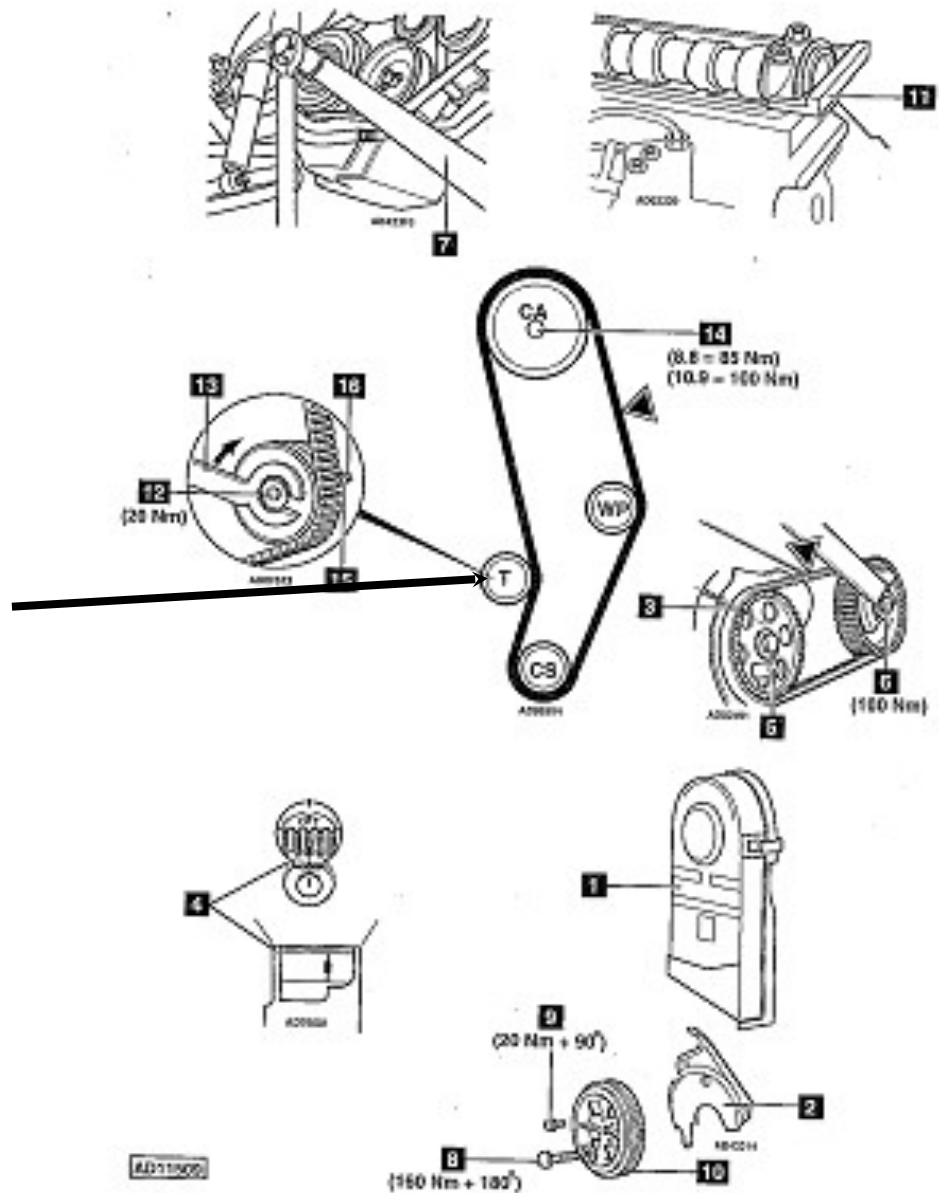


Identification of engine for VW type AAB application from 02.1995 to 2002 Meyer reference 01 199 609 0



Timing belt
tensioning using
tensioner roller